



Pneumatic, Hydraulic & Vacuum Equipment

RIKEN OPTECH Safety Light

RIKEN Safety Light Curtain Sensor, Area Sensor for Pressing Machine safety sensor applications used. RIKEN OPTECH Corporation are the high performance brand of Pressing machine safety devise system with wide range of model for your safety need.

Safety Light Curtain SE II Series



Safety Light Curtain RPH4 Series




Safety Light Curtain RBS (PSDI) Series



Laser Scanner RS-4





Hydraulic control equipments

Products Name		Model	Type
	Non-leak valve	VHA	Hydraulic selector valve/ Manual operated
	Non-leak valve	VSB (VSA)	Hydraulic selector valve/ Solenoid operated
	Pascal pump	HPH	Air-driven, compact ,high
	Power unit	HUB	Air driven hydraulic pump+ small oil tank (For small press machine)
	Power unit	HUC	Air driven hydraulic pump + Large oil tank (For middle and large press machine)
	Control unit	HCP	Air driven hydraulic control unit (For middle and large pres machine)
	Control unit	HCS	For hydraulic clamp / Control voltage AC100V / DC24V Fluid used : ISO-VG equivalent mineral oil (discharge pressure24.5MPa)

Die clamp

Products Name	Model	Type
 <p>Clamp</p>	TXA	Cylinder type
 <p>Clamp</p>	TXC	TXA + Auto slide
 <p>Clamp</p>	TYA	Lever type
 <p>Clamp</p>	TYC	TYA + Auto slide
 <p>Rod swing clamp</p>	TNA	Air cylinder driven

Traveling Clamp

Products Name	Model	Type
 <p>Traveling clamp</p>	TRA	Hydraulic clamp + Air cylinder drive
 <p>Traveling clamp</p>	TRB	Hydraulic clamp + Air motor drive
 <p>Traveling clamp</p>	TRC	Hydraulic clamp + Electric motor drive

Cylinder



Tie rod type cylinder K series

Single-rod standard type of $\phi 32 - \phi 160$
(except mounting to LA)
will be delivered to you in 4 working days.

Specification	Standard	Switch adjusted specification
Series name	K	KR
Nominal Pressure	3.5MPa	
Test Proof Pressure	5MPa	
bore	$\phi 32 \cdot \phi 40 \cdot \phi 50 \cdot \phi 63 \cdot \phi 80 \cdot \phi 100 \cdot \phi 125 \cdot \phi 160$	$\phi 32 \cdot \phi 40 \cdot \phi 50 \cdot \phi 63 \cdot \phi 80 \cdot \phi 100 \cdot \phi 125$
Range of Operating Speed	8' 300mm/sec.	
Range of Operating Temperature	-10 °C ~ +80 °C	-10 °C ~ +60 °C



Tie rod type cylinder 7-14MPa F series

We can deliver the standard cylinder which
has a single rod from 32 bore to 180 bore
4 workdays later.

Specification	Standard		Switch adjusted specification	
	FS	FF	FSR	FFR
Series name	FS	FF	FSR	FFR
Nominal Pressure	7MPa	14MPa	7MPa	14MPa
Bore	$\phi 32 \cdot \phi 40 \cdot \phi 50 \cdot \phi 63 \cdot \phi 80$ $\phi 100 \cdot \phi 125 \cdot \phi 140$ $\phi 150 \cdot \phi 160 \cdot \phi 180 \cdot \phi 200 \cdot \phi 224 \cdot \phi 250$		$\phi 32 \cdot \phi 40 \cdot \phi 50 \cdot \phi 63$ $\phi 80 \cdot \phi 100 \cdot \phi 125 \cdot \phi 140$	
Test Proof Pressure	10.5MPa	21MPa	10.5MPa	21MPa
Range of Operating Temperature	-10 °C ~ +80 °C (Standard) -10 °C ~ +120 °C (High Temperature Specification)		-10 °C ~ +60 °C (Standard) -10 °C ~ +100 °C (High Temperature Specification)	



Tie rod type cylinder T series

Single-rod standard type of $\phi 40 \sim \phi 160$
(except mounting to LA, CA and CB)
will be delivered to you in 4 working days.

Specification	Standard	Switch Adjusted Specification
Series name	T	TR
Nominal Pressure	21MPa	
Test Proof Pressure	31.5MPa	
Bore	$\phi 40 \cdot \phi 50 \cdot \phi 63 \cdot \phi 80 \cdot \phi 100 \cdot \phi 125$ $\phi 140 \cdot \phi 160 \cdot \phi 180 \cdot \phi 200 \cdot \phi 224 \cdot \phi 250$ (Until 160 bore for the mountings of LA & CB)	$\phi 40 \cdot \phi 50 \cdot \phi 63 \cdot \phi 80$
Range of Operating Temperature	-10 °C ~ +80 °C (Standard) -10 °C ~ +120 °C (High Temperature Specification)	-10 °C ~ +60 °C (Standard) -10 °C ~ +100 °C (High Temperature Specification)

DEUBLIN Rotary Joint

DEUBLIN Rotary Union is a Rotary Joint to connection between the static parts to a rotating parts to transfer a fluid such as a Water, Oil, Air, Steam into machinery. Rotating Unions also know in the industrial as following name.

Rotary Union, Rotating Union, Rotary Joint, Rotating Joint, Swivels Joint



DEUBLIN 55 Series Rotating Union
for General Purpose



DEUBLIN 57 Series Rotating Union
for Water Service



DEUBLIN 3/4" to 1 1/2" Air-Hydraulic Unions



ASK Pressure Gauge

Glycerin pressure gauge Dial size 39 mm. OPG Series



1	Model	Glycerin pressure gauge
2	Profile	Embedded Bar : Square
3	Screw size	R1/4 (PT)
4	Size	39 : ϕ 39mm
5	Pressure range (maximum indication)	1 : 1 MPa 02.5 : 02.5 MPa 04 : 04 MPa 06 : 06 MPa 10 : 10 MPa 16 : 16 MPa 25 : 25 MPa 40 : 16 MPa
6	Stainless steel case	(NEW)

OPG	-	DT	-	R1/4	-	39	x	10MPA	-	S
1		2		3		4		5		6

Glycerin pressure gauge Dial size ϕ 60, ϕ 75, ϕ 100 mm.



1	Model	Glycerin pressure gauge
2	Profile	A type : Frameless B type : Round frame D type : Embedded (with mounting pieces)
3	Stub form	T type : Square U : Two-sided (Model D, only for 75 and 100 mm-diameter type)
4	Screw	G1/4 (only for 60 mm-diameter type) R1/4 (Model A, only for 60 mm-diameter type) G3/8 (75 and 100 mm-diameter types)
5	Dimensions	60 : ϕ 60mm 75 : ϕ 75mm 100 : ϕ 100mm
6	Pressure range (maximum indication)	See the pressure range table

OPG	-	A	T	-	G1/4	-	60	x	10MPA
1		2	3		4		5		6

Glycerin pressure gauge Dial size ϕ 60, ϕ 75, ϕ 100 mm.



1	Model	Glycerin pressure gauge. Made of stainless steel
2	Profile	A : Frameless
3	Stub form	T : Square
4	Screw	G1/4 R1/4
5	Size	60 : ϕ 60mm
6	Maximum Indication	See the Pressure Range Table.

OSG	-	A	T	-	G1/4	-	60	x	10MPA
1		2	3		4		5		6

ASAHI Pressure Gauge

ASAHI GAUGE MFG. CO.,LTD. are manufacture the Pressure Gauge under the name of OSAKA Gauge with wide range of model suit you pressure monitoring application such as General Pressure Gauge, Stainless steel Pressure Gauge, Super-high Pressure Gauge, Low range Pressure Gauge, Differential Pressure Gauge, Small-size Pressure Gauge, Oil-Sealed Pressure Gauge, Digital Pressure Gauge, Pressure Gauge with electric contact, Pressure Transmitter, Pressure Switch.

Pressure Gauge (Range from 0 to 200 MPa.)

Vacuum Gauge (Range from -0.1 to 0 MPa.)

Compound Pressure Gauge (Range from -0.1 to 4 MPa.)

101-A

101-B

101-D



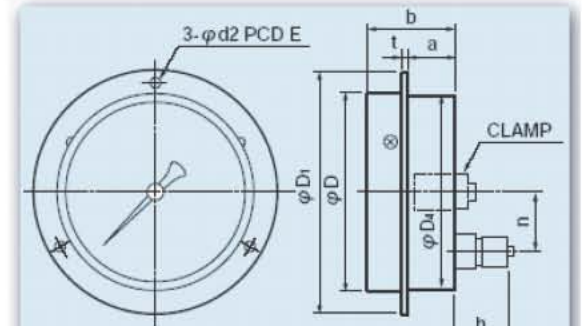
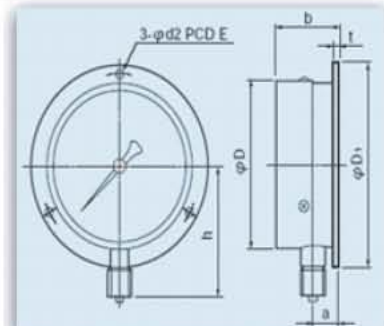
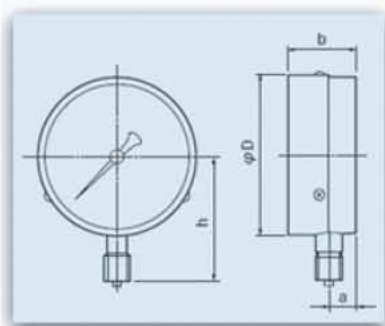
OSAKA Standard Pressure Gauge Model 101

Size	Type of case	Connection screw	Scale range
60	Type A	G1/4	0.05MPa
75			~
100	Type B	G3/8	200MPa
150	Type D	G1/2	Vacuum

Stem Mouting (Type A) 101-A

Surface Mouting (Type B) 101-B

Flush Mouting (Type D) 101-D



TKD Rotary Joint

R1000 - R1100 Series



R2000 Series



R2300 Series



R3000 Series



R3700 Series



TKD Swivel Joint

U-1000M Series



U-2000(D) Series



U-3000(C) Series



U-4000(W) Series



U-5000 Series



U-6000 Series



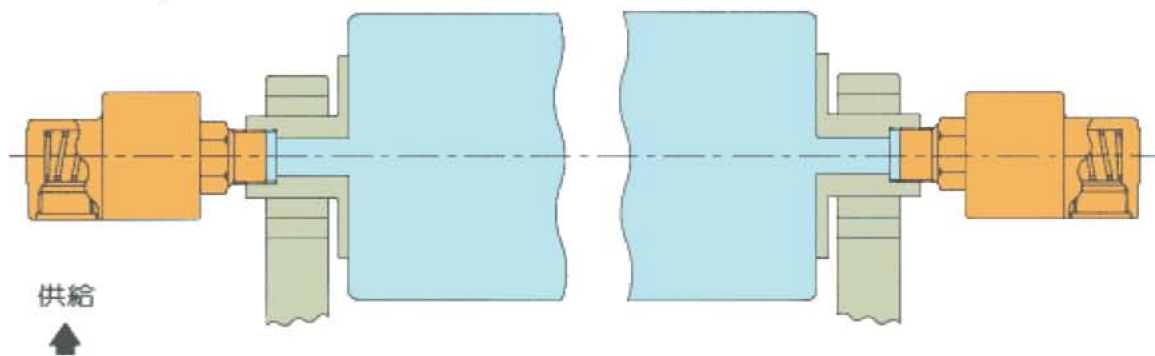
APPLICATIONS

1. Simplex

Used to supply a fluid (water, oil or steam) into a roll from one end and discharge it from the other end where both ends of the journal are available.

Example:

Rolls for iron manufacture machines, Film cooling and take-up roll, Paper calender, etc.

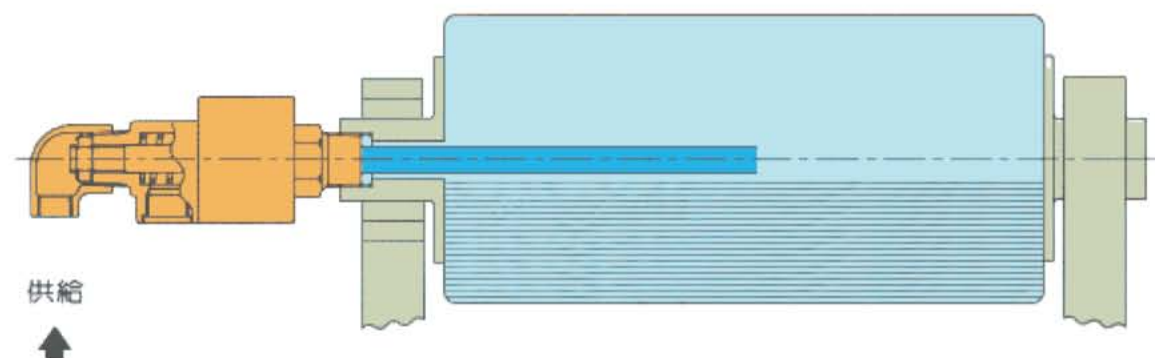


2. Duplex, Stationary Internal Pipe

Where only one end of the journal is available, a fluid is supplied from one end of the roll and discharge it from same end.

Example: for Water or Thermoil

Plastic extruder, Film cooling and take-up roll, Rubber kneading machine, etc.



STANDARD ROTARY JOINTS

1.AC Series



2.NC Series



3.RX Series



4.KC Series



STANDARD SWIVEL JOINTS

1.Type A



2.Type B



3.Type C



4.Type AS



5.Type CS

