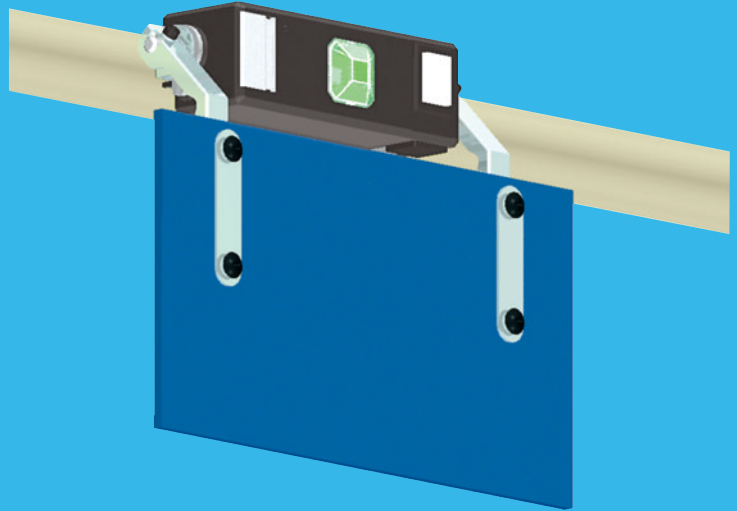


POKAYOKE SHUTTER STEP5

Human error is inevitable.

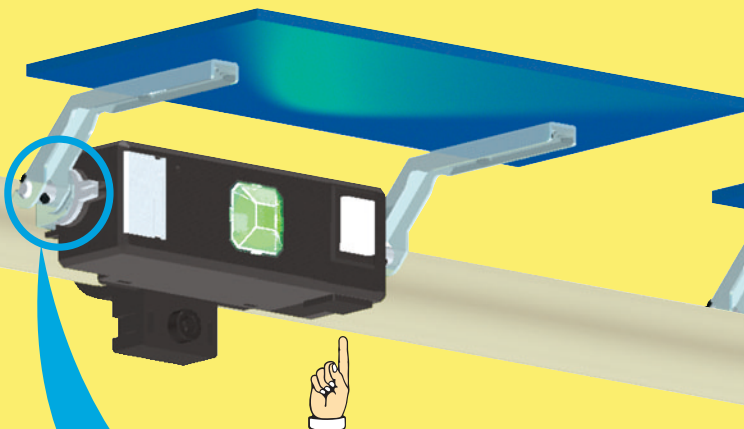


This equipment can prevent picking up wrong parts by automatically opening and closing the door.



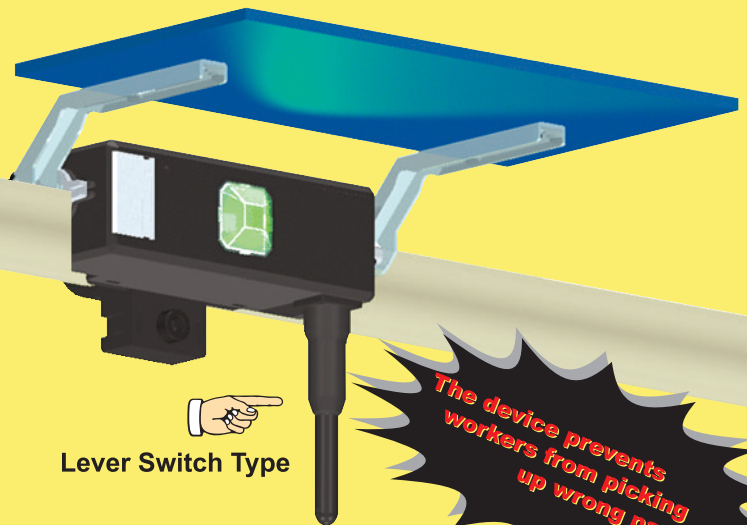
The shelf lamp and main body became one and more easy to see.

After finishing the work, the shutter closes with touching the push switch or lever.



Push Switch Type

You can adjust the opening and shutting angle with DIP switch in the body, depending on size of parts and height of shelves.



Lever Switch Type

The device prevents workers from picking up wrong parts.



The shutter will opening and...

※Above pictures show the STEP4



You can easily find and pick up right parts.



when it's opened



when it's closed

Feature

- ◎The device can be used to prevent wrong parts from not only being picked, but also being stored onto shelves.
- ◎A number of devices can work simultaneously due to low consumption of electricity.
- ◎Easy installation.(Pokayoke Shutter can work by just connecting with I/O unit to existing system.)
- ◎The angle can be adjusted using DIP switch in the body.
- ◎The length of time (during which a panel is opened) can also be adjusted 1 sec to 10sec. (Therefore, you can store long or heavy objects which it may take longer to take out)

Specification

- MODEL:APG-5
- POWER:24V DC
- CURRENT CONSUPTION:0.4A or less
- Inrush current:0.6A or less
- Weight:0.25kg
- Max Torque:1.2kg·cm
- Opening and closing durability:One million times of use
- The length of time when closing:1sec to 10sec (adjustable)

◎Recommended shutter(Material:5mm plastic thickness of corrugated cardboard)

※Please inquire the size separately.

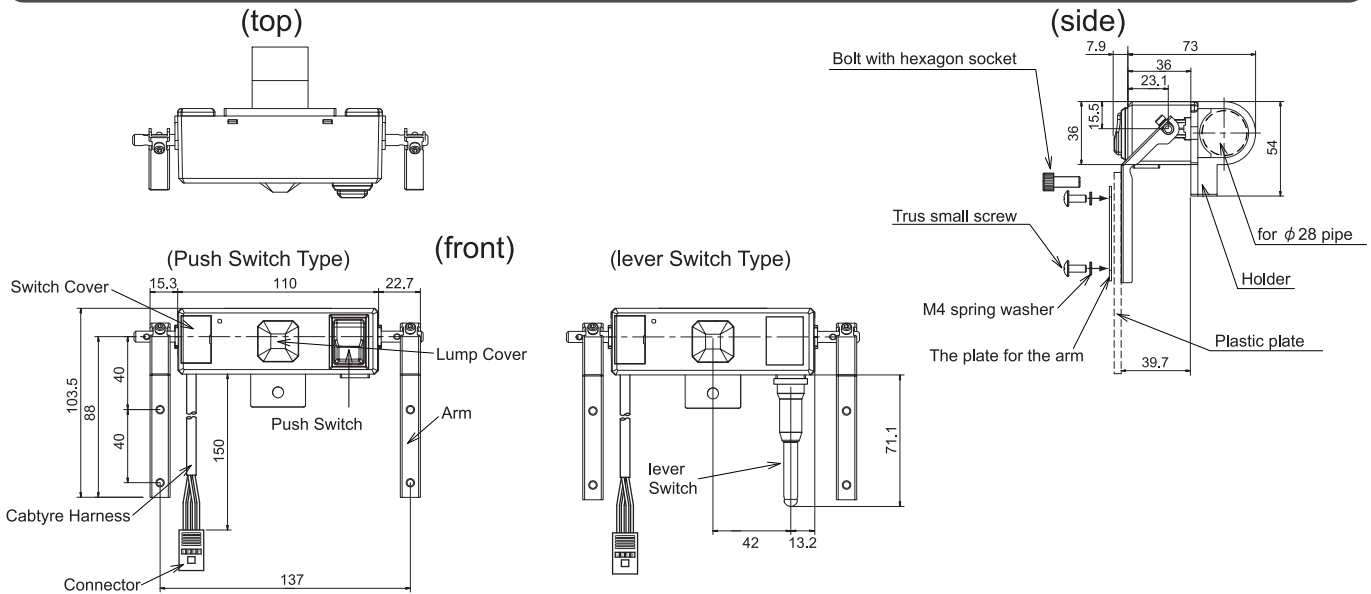
Accessory included

For main body installation)Bolt with hexagon socket:M6 × 15(1 per unit)

For shutter installation)Truss small screw:M4 × 10(4 per unit)

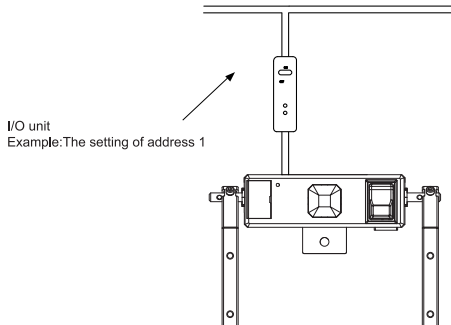
The plate for the arm(2plates per unit)

Outlook

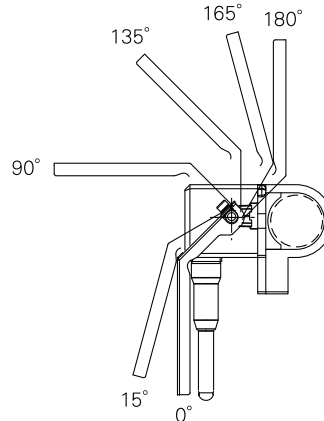


Wiring diagram

← It is connect with the FA control equipment.



The angle of the opening and closing



※The above picture shows you the possible angles of opening and closing.

If you have questions, please contact.

Manufacturer: **oneA Co.,Ltd.**

Main Office : 3-30-20 4F,Hanaten-Higashi,
Tsurumi-ku,Osaka-city,Osaka
538-0044, Japan
TEL. +81-6-6962-7771

URL: <http://www.one-a.co.jp>

Sendai Sales Office
Tokyo Sales Office
Nagoya Sales Office
Fukuoka Sales Office
Osaka Sales Office

Higashi Osaka Office
Main Factory
Tsurumi Factory

